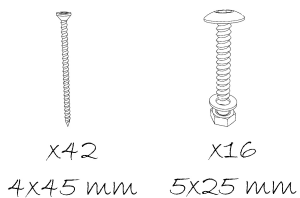
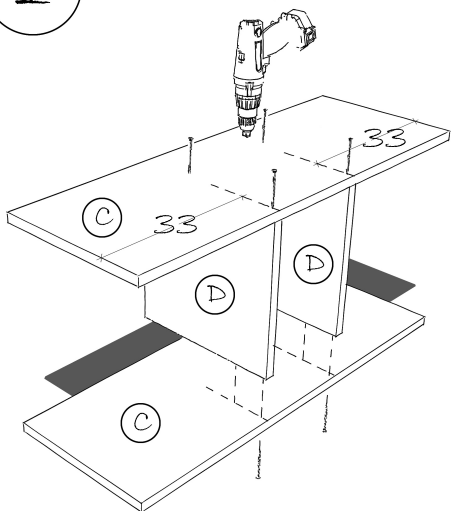


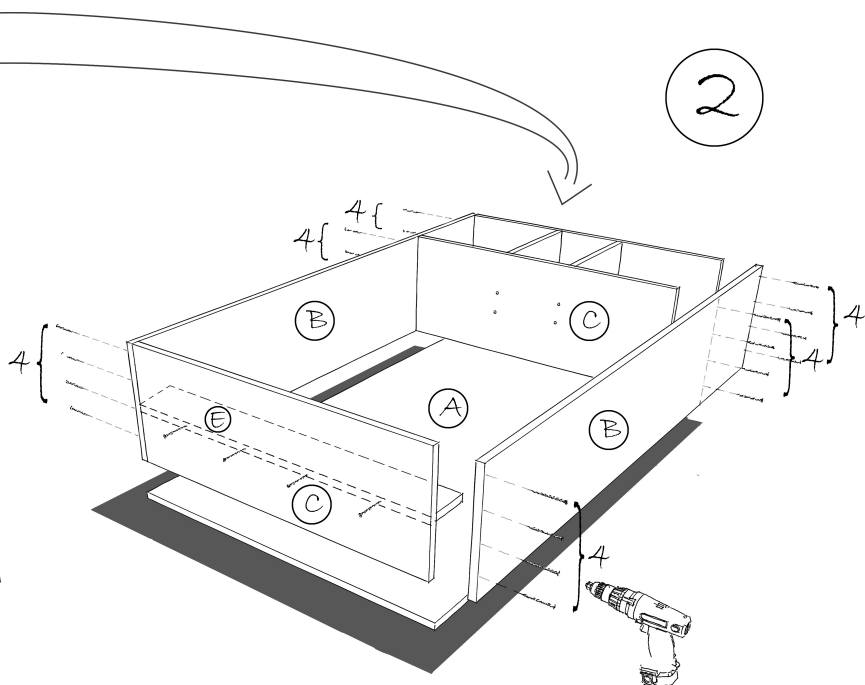
# BASIC BLOCK

1

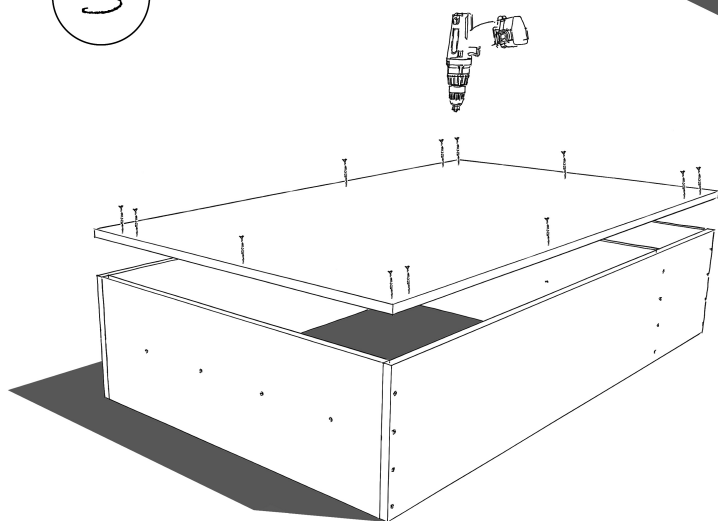


	Dimensions	Pieces
A	150X80X2	1
B	150X59X2	2
C	76,4X59X2	3
D	33X59X2	2
E	76,4X10X2	1

2



3



4

